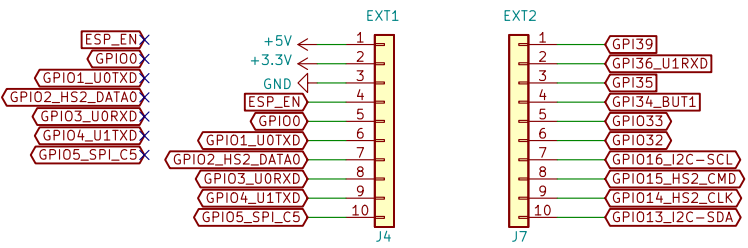
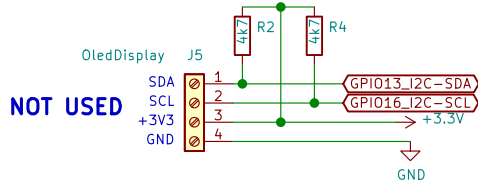


For this node the PCB of the StandardNode is used

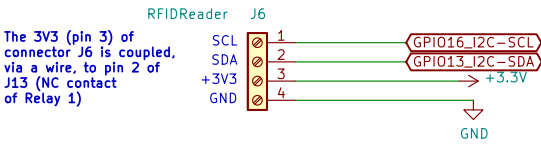
ESP32-PoE connectors



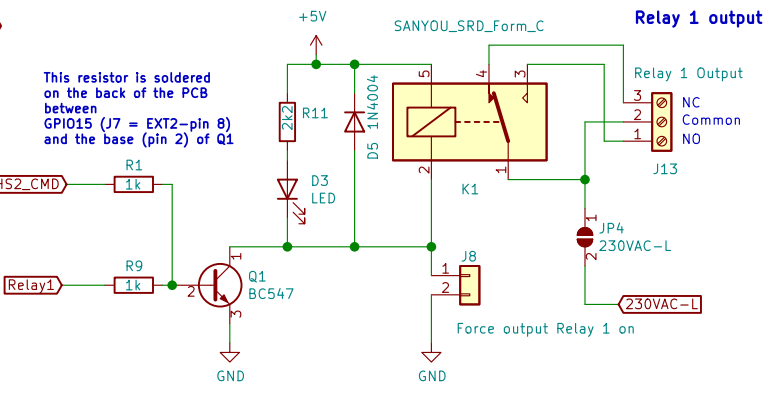
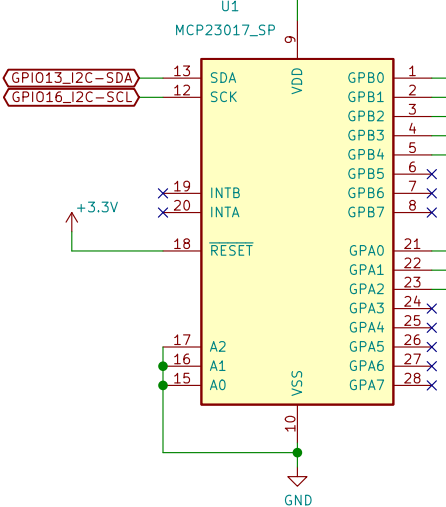
Oled Display



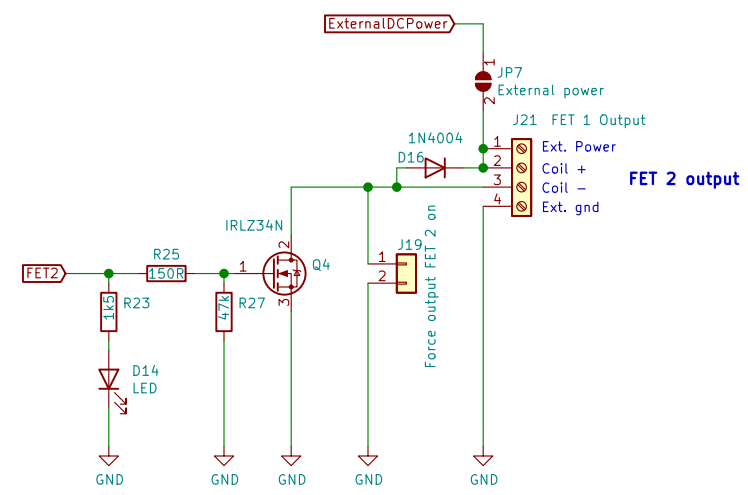
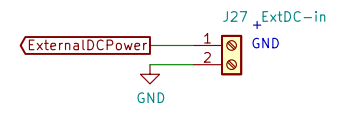
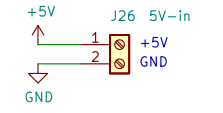
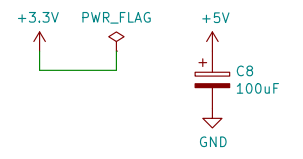
Rfid



MCP23017-SP



Pin 3 of relay 1 output is via a wire connected to the 3v3 pin (= pin 3) of J6. From the cable to the RFID reader the 3v3 wire is connected to J13 pin 2 (common).



Getekend door: Hans Beerman		
MakerSpace Leiden		
Sheet: /		
File: NodeVoordeur.sch		
Title: NodeVoordeur		
Size: A3	Date: 2021-02-24	Rev: V0.4.0.0
KiCad E.D.A. kicad 5.1.9-73d0e3b20d88ubuntu20.04.1		Id: 1/1