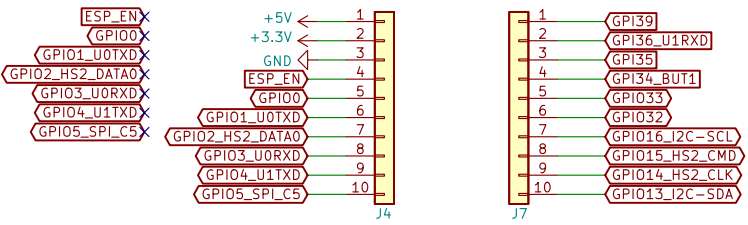
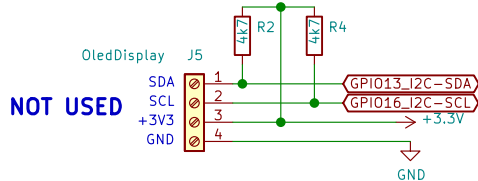


# For this node the PCB of the StandardNode is used

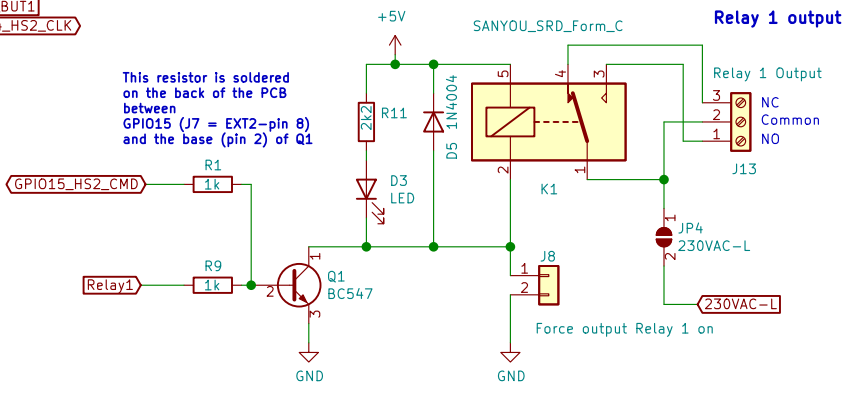
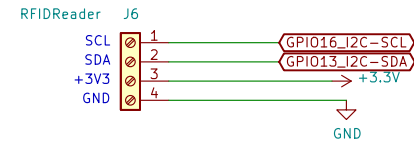
## ESP32-PoE connectors



## Oled Display



## Rfid



This resistor is soldered on the back of the PCB between GPIO15 (J7 = EXT2-pin 8) and the base (pin 2) of Q1

