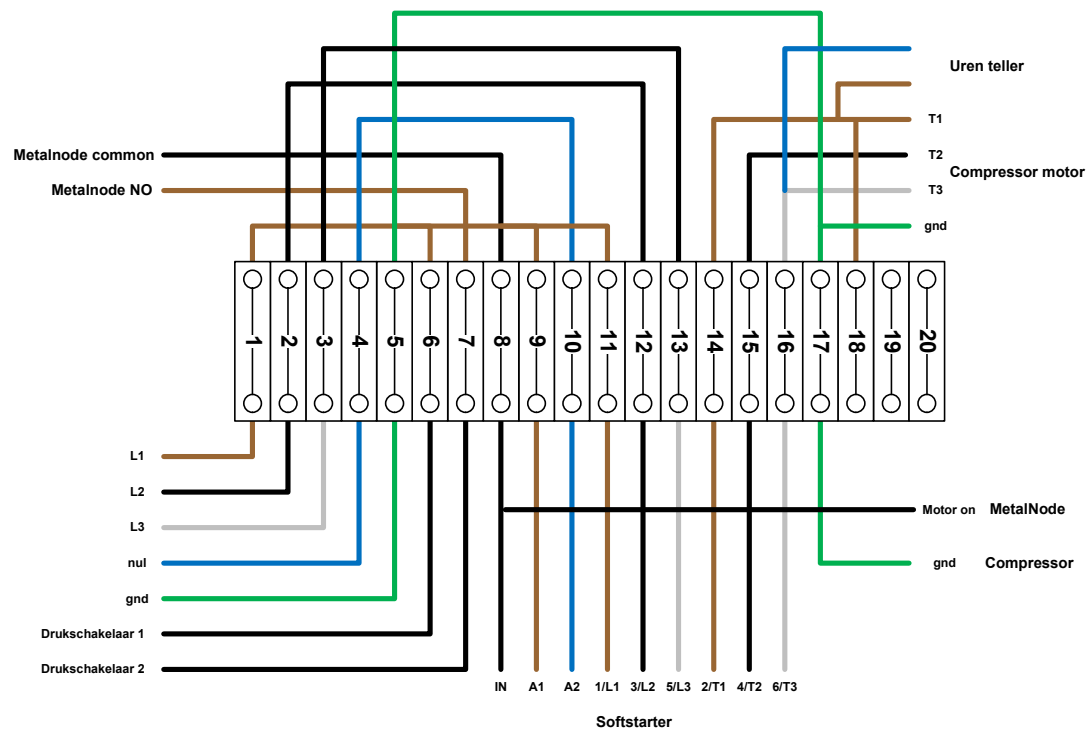


Softstarter	
Starting voltage	80 %
Ramp-up time	1,5 s
Motor current Ie	12 A
Current limiting value xLe	4 x
Ramp down time t	5 s
Reset function	Manual



Drawn by: Hans Beerman	Filename: Compressor met softstarter concept V0.8 2021007.vsd		
<b>Compressor met softstarter</b>			
Date: 07-10-20	Version: 0.8	Status: Concept	Page: 1/1