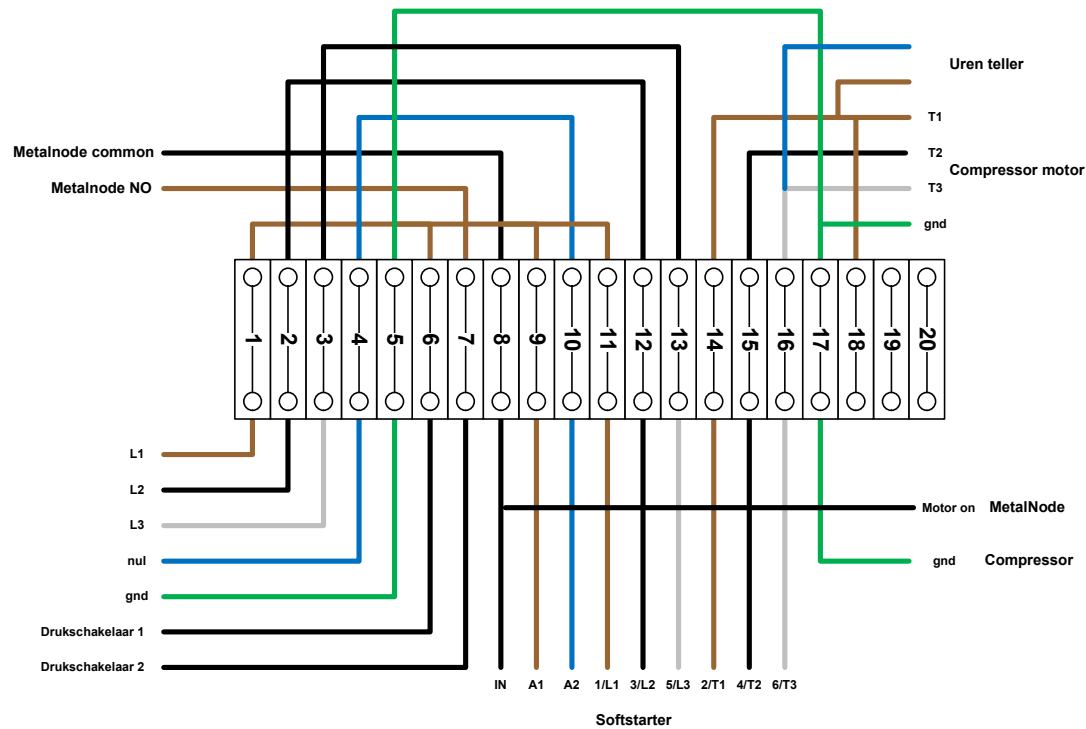


Softstarter	
Starting voltage	50 %
Ramp-up time	10 s
Motor current Ie	10 A
Current limiting value xLe	4 x
Ramp down time t	10 s
Reset function	Automatic



Drawn by: Hans Beerman	Filename: Compressor met softstarter concept V0.6 20200909.vsd		
<b>Compressor met softstarter</b>			
Date: 09-09-20	Version: 0.6	Status: Concept	Page: 1/1