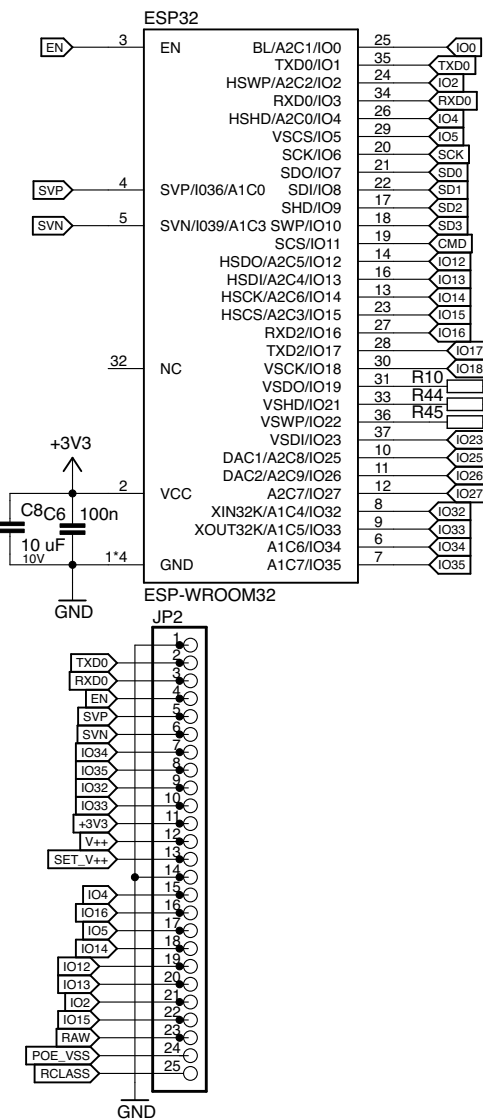
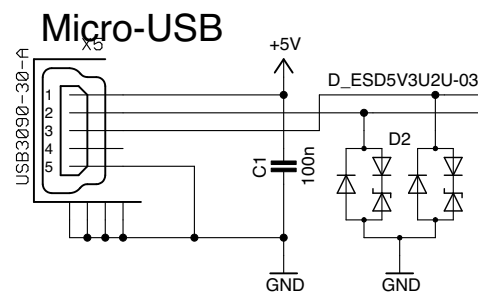


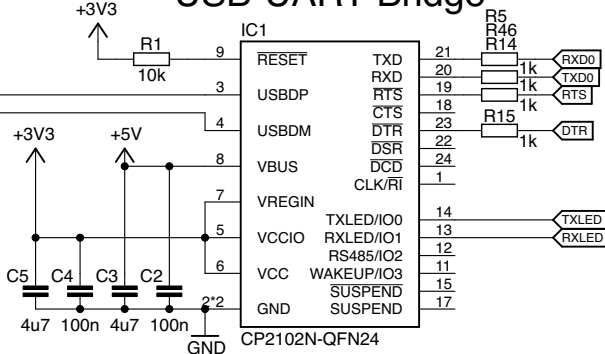
## ESP-WROOM-32



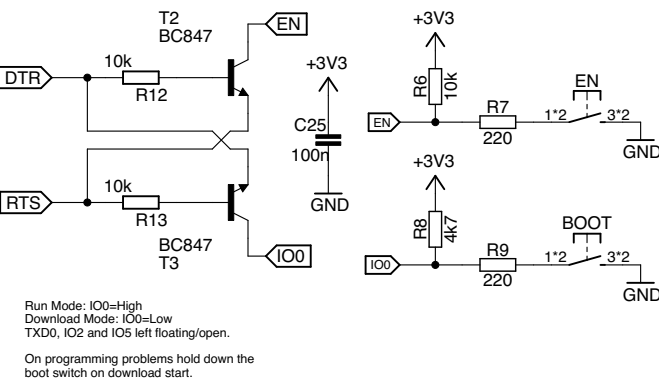
## Micro-USB



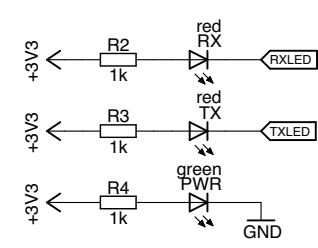
## USB-UART-Bridge



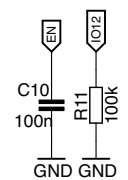
## Programming Logic



## Switches and Status LEDs

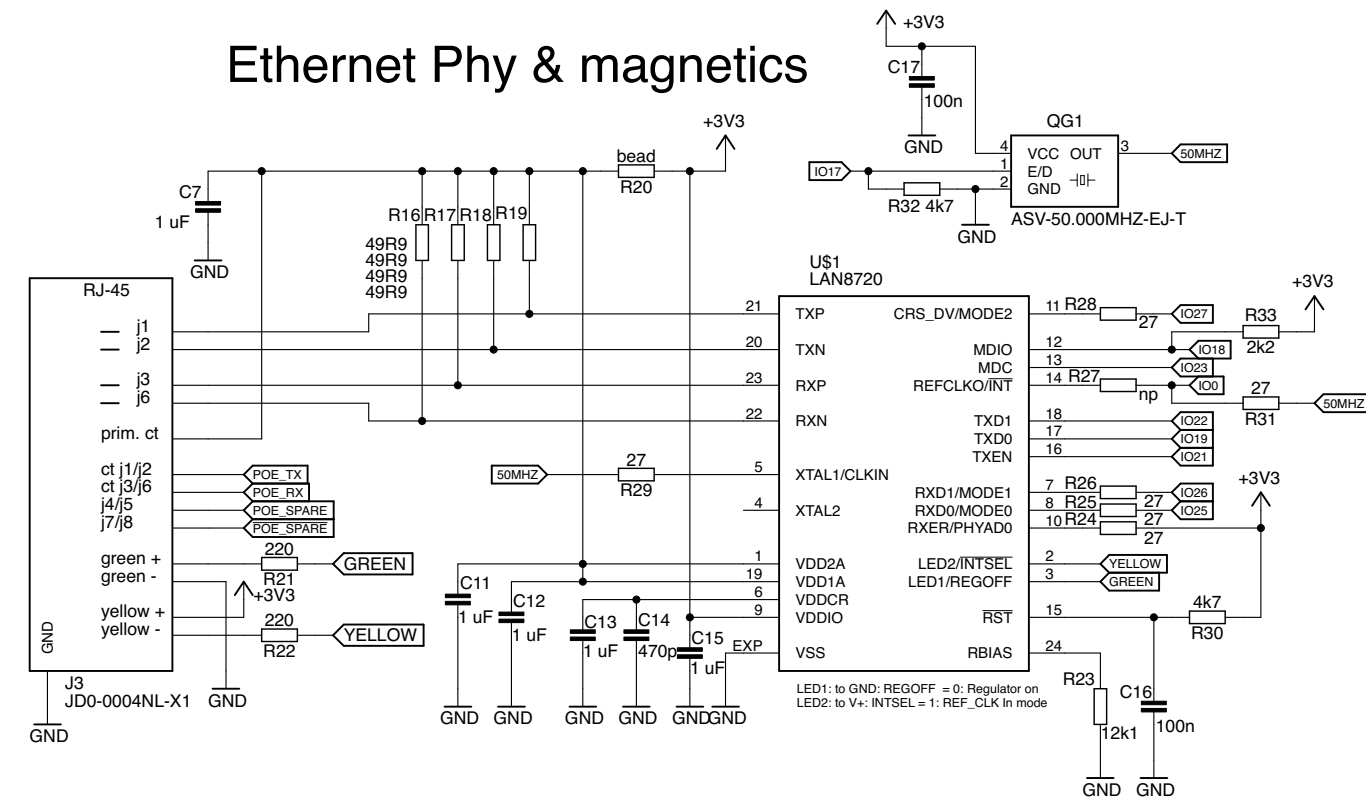


Run Mode: IO0=High  
 Download Mode: IO0=Low  
 TXD0, IO2 and IO5 left floating/open.  
 On programming problems hold down the boot switch on download start.



POESP board  
 Network phy & POE power supply by Aart 11-2017  
 Inspired by: <https://sautter.com/blog/ethernet-on-esp32-using-lan8720/>  
 ESP & USB interface based on:  
 Designed by Andreas Watterott (Watterott electronic)  
 Inspired by the Espressif ESP32-DevKitC - <http://espressif.com>  
 Released under the Creative Commons Attribution Share-Alike License <http://creativecommons.org/licenses/by-sa/4.0/>

## Ethernet Phy & magnetics



## POE & Step down

